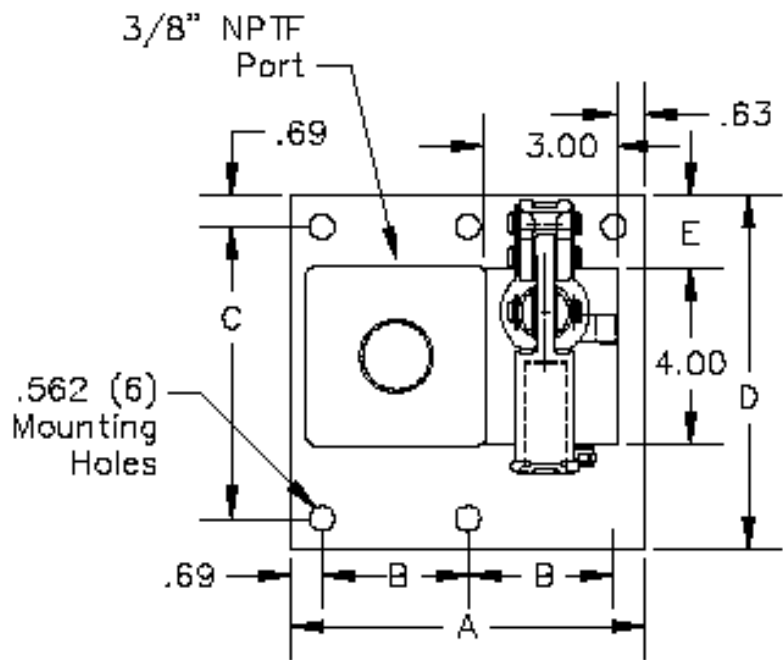


Star Hydraulics, LLC  
 CPS Series Hand Operated Two Speed Hydraulic Pump, Screw Release



	Standard Reservoirs, Volume in cubic inches.		
	80	160	250
A	8	8	10
B	3.31	3.31	4.31
C	6.63	6.63	7.63
D	8	8	9
E	1.63	1.63	2.50
F	4	4	6
G	10.75	16.50	12.75

